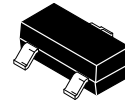


MAX809
MAX810



SOT-23
PLASTIC PACKAGE (TO-236)
CASE 318-08

ORDERING INFORMATION

MAX809x	SOT-23
MAX810x	SOT-23

NOTE: The "x" denotes a suffix for V_{CC} threshold – see table below

Suffix	Reset V_{CC} Threshold (V)
L	4.63
M	4.38
J*	4.00
T	3.08
S	2.93
R	2.63

NOTE: *J version is available for MAX809 only

Product Preview
**3-Pin Microprocessor
Reset Monitors**

Features

- Precision V_{CC} Monitor for 3.0V, 3.3V, and 5.0V Supplies
- 140msec Guaranteed Minimum RESET, RESET Output Duration
- RESET Output Guaranteed to $V_{CC} = 1.0V$ (MAX809)
- Low 17 μ A Supply Current
- V_{CC} Transient Immunity
- Small SOT-23 Package
- No External Components
- Wide Operating Temperature: $-40^{\circ}C$ to $85^{\circ}C$

Typical Applications

- Computers
- Embedded Systems
- Battery Powered Equipment
- Critical μ P Power Supply Monitoring

The MAX809 and MAX810 are cost-effective system supervisor circuits designed to monitor V_{CC} in digital systems and provide a reset signal to the host processor when necessary. No external components are required.

The reset output is driven active within 20 μ sec of V_{CC} falling through the reset voltage threshold. Reset is maintained active for a minimum of 140msec after V_{CC} rises above the reset threshold. The MAX810 has an active-high RESET output while the MAX809 has an active-low RESET output. The output of the MAX809 is guaranteed valid down to $V_{CC} = 1V$. Both devices are available in a SOT-23 package.

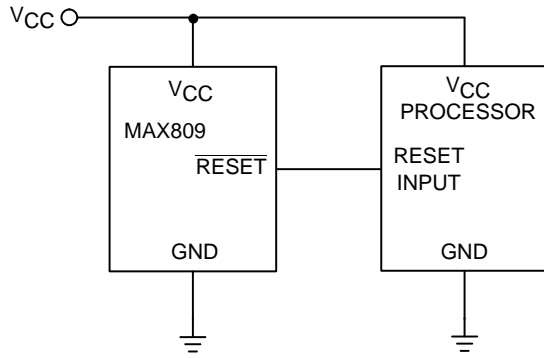
The MAX809/810 are optimized to reject fast transient glitches on the V_{CC} line. Low supply current of 17 μ A ($V_{CC} = 3.3V$) makes these devices suitable for battery powered applications.

This document contains information on a product under development. Motorola reserves the right to change or discontinue this product without notice.

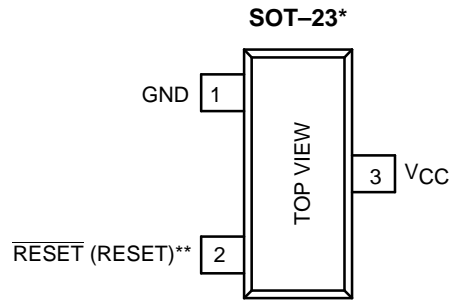


MAX809 MAX810

TYPICAL OPERATING CIRCUIT



PIN CONFIGURATION



NOTE: *SOT-23 is equivalent to JEDEC (TO-236)
 ** RESE is for MAX809
 ** RESE is for MAX810

ABSOLUTE MAXIMUM RATINGS*

Symbol	Parameter	Value	Unit
	Supply Voltage (V_{CC} to GND)	6.0	V
	RESE, RESE	-0.3 to ($V_{CC} + 0.3$)	V
	Input Current, V_{CC}	20	mA
	Output Current, RESE, RESE	20	mA
	dV/dt (V_{CC})	100	V/ μ sec
P_D	Power Dissipation ($T_A \leq 70^\circ\text{C}$) SOT-23 (derate 4mW/ $^\circ\text{C}$ above $+70^\circ\text{C}$)	230	mW
T_A	Operating Temperature Range	-40 to +85	$^\circ\text{C}$
T_{stg}	Storage Temperature Range	-65 to +150	$^\circ\text{C}$
T_{sol}	Lead Temperature (Soldering, 10 Seconds)	+260	$^\circ\text{C}$

* Maximum Ratings are those values beyond which damage to the device may occur.

ELECTRICAL CHARACTERISTICS (V_{CC} = Full Range, T_A = -40°C to $+85^{\circ}\text{C}$ unless otherwise noted. typical values are at T_A = $+25^{\circ}\text{C}$, V_{CC} = 5V for L/M/J, 3.3V for T/S, 3.0V for R) (Note 1.)

Symbol	Characteristic	Min	Typ	Max	Unit
	V_{CC} Range T_A = 0°C to $+70^{\circ}\text{C}$ T_A = -40°C to $+85^{\circ}\text{C}$	1.0 1.2	— —	5.5 5.5	V
I_{CC}	Supply Current MAX8xxL/M/J: V_{CC} < 5.5V MAX8xxR/S/T: V_{CC} < 3.6V	— —	24 17	60 50	μA
V_{TH}	Reset Threshold (Note NO TAG) MAX8xxL: T_A = 25°C T_A = -40°C to $+85^{\circ}\text{C}$ MAX8xxM: T_A = 25°C T_A = -40°C to $+85^{\circ}\text{C}$ MAX809J: T_A = 25°C T_A = -40°C to $+85^{\circ}\text{C}$ MAX8xxT: T_A = 25°C T_A = -40°C to $+85^{\circ}\text{C}$ MAX8xxS: T_A = 25°C T_A = -40°C to $+85^{\circ}\text{C}$ MAX8xxR: T_A = 25°C T_A = -40°C to $+85^{\circ}\text{C}$	4.56 4.50 4.31 4.25 3.93 3.89 3.04 3.00 2.89 2.85 2.59 2.55	4.63 — 4.38 — 4.00 — 3.08 — 2.93 — 2.63 —	4.70 4.75 4.45 4.50 4.06 4.10 3.11 3.15 2.96 3.00 2.66 2.70	V
	Reset Threshold Temperature Coefficient	—	30	—	ppm/ $^{\circ}\text{C}$
	V_{CC} to Reset Delay V_{CC} = V_{TH} to (V_{TH} - 100mV)	—	20	—	μsec
	Reset Active Timeout Period	140	240	560	msec
V_{OL}	RESET Output Voltage Low (MAX809) MAX809R/S/T: V_{CC} = V_{TH} min, I_{SINK} = 1.2mA MAX809L/M/J: V_{CC} = V_{TH} min, I_{SINK} = 3.2mA V_{CC} > 1.0V, I_{SINK} = 50 μA	— — —	— — —	0.3 0.4 0.3	V
V_{OH}	RESET Output Voltage High (MAX809) MAX809R/S/T: V_{CC} > V_{TH} max, I_{SOURCE} = 500 μA MAX809L/M/J: V_{CC} > V_{TH} max, I_{SOURCE} = 800 μA	0.8 V_{CC} V_{CC} - 1.5	— —	— —	V
V_{OL}	RESET Output Voltage Low (MAX810) MAX810R/S/T: V_{CC} = V_{TH} max, I_{SINK} = 1.2mA MAX810L/M/J: V_{CC} = V_{TH} max, I_{SINK} = 3.2mA	— —	— —	0.3 0.4	V
V_{OH}	RESET Output Voltage High (MAX810) 1.8 < V_{CC} < V_{TH} min, I_{SOURCE} = 150 μA	0.8 V_{CC}	—	—	V

1. Production testing done at T_A = 25°C , over temperature limits guaranteed by design.

PIN DESCRIPTION

Pin No.	Symbol	Description
1	GND	Ground
2	RESET (MAX809)	RESET output remains low while V_{CC} is below the reset voltage threshold, and for 240msec (typ.) after V_{CC} rises above reset threshold
2	RESET (MAX810)	RESET output remains high while V_{CC} is below the reset voltage threshold, and for 240msec (typ.) after V_{CC} rises above reset threshold
3	V_{CC}	Supply Voltage (typ.)

APPLICATIONS INFORMATION

V_{CC} Transient Rejection

The MAX809/810 provides accurate V_{CC} monitoring and reset timing during power-up, power-down, and brownout/sag conditions, and rejects negative-going transients (glitches) on the power supply line. Figure 1 shows the maximum transient duration vs. maximum negative excursion (overdrive) for glitch rejection. Any combination of duration and overdrive which lies **under** the curve will **not** generate a reset signal. Combinations above the curve are detected as a brownout or power-down. Transient immunity can be improved by adding a capacitor in close proximity to the V_{CC} pin of the MAX809/810.

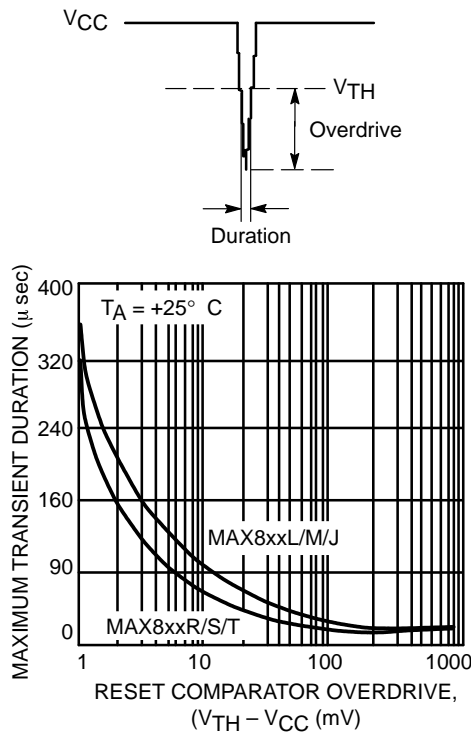


Figure 1. Maximum Transient Duration vs. Overdrive for Glitch Rejection at 25° C

RESET Signal Integrity During Power-Down

The MAX809 RESET output is valid to V_{CC} = 1.0V. Below this voltage the output becomes an "open circuit" and does not sink current. This means CMOS logic inputs to the μP will be floating at an undetermined voltage. Most digital systems are completely shutdown well above this voltage. However, in situations where RESET must be maintained valid to V_{CC} = 0V, a pull-down resistor must be connected from RESET to ground to

discharge stray capacitances and hold the output low (Figure 2). This resistor value, though not critical, should be chosen such that it does not appreciably load RESET under normal operation (100kΩ will be suitable for most applications). Similarly, a pull-up resistor to V_{CC} is required for the MAX810 to ensure a valid high RESET for V_{CC} below 1.0V.

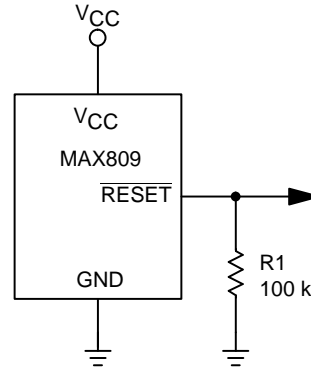


Figure 2. Ensuring RESET Valid to V_{CC} = 0 V

Processors With Bidirectional I/O Pins

Some μP's (such as Motorola 68HC11) have bidirectional reset pins. Depending on the current drive capability of the processor pin, an indeterminate logic level may result if there is a logic conflict. This can be avoided by adding a 4.7kΩ resistor in series with the output of the MAX809/810 (Figure 3). If there are other components in the system which require a reset signal, they should be buffered so as not to load the reset line. If the other components are required to follow the reset I/O of the μP, the buffer should be connected as shown with the solid line.

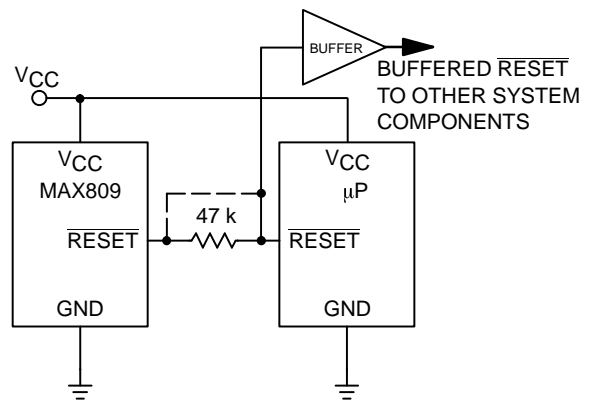


Figure 3. Interfacing to Bidirectional Reset I/O

TYPICAL CHARACTERISTICS

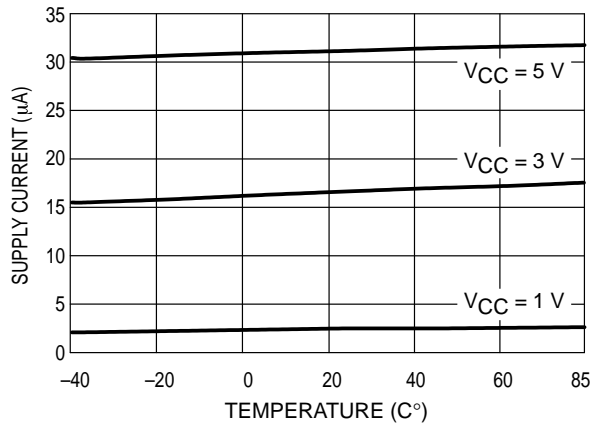


Figure 4. Supply Current vs Temperature (No Load, MAX8xxR/S/T)

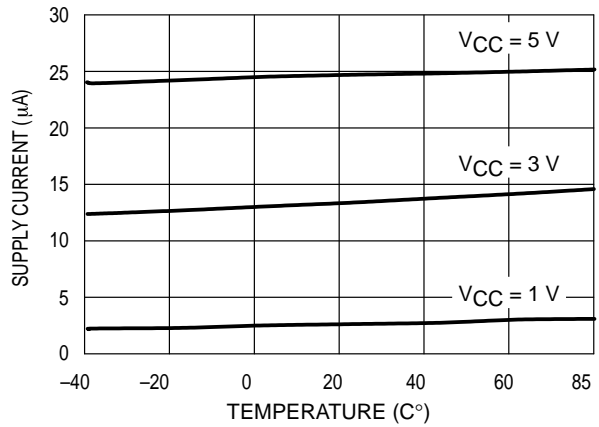


Figure 5. Supply Current vs Temperature (No Load, MAX8xxL/M/J)

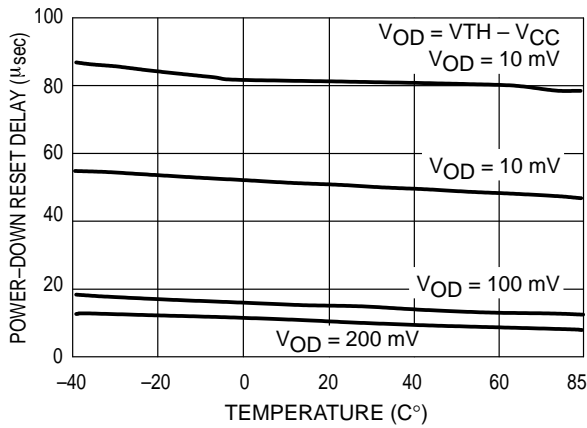


Figure 6. Power-Down Reset Delay vs Temperature and Overdrive (MAX8xxR/S/T)

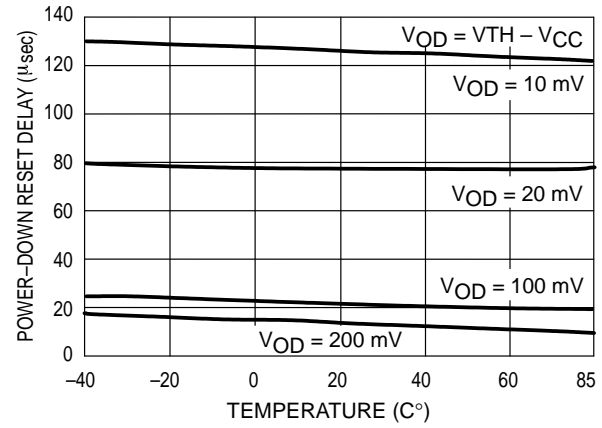


Figure 7. Power-Down Reset Delay vs Temperature and Overdrive (MAX8xxL/M/J)

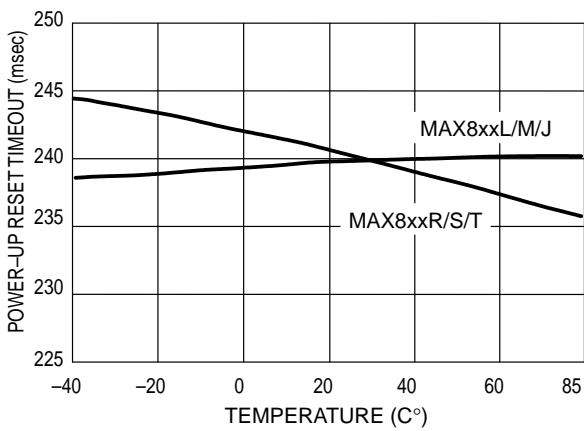


Figure 8. Power-Up Reset Timeout vs Temperature

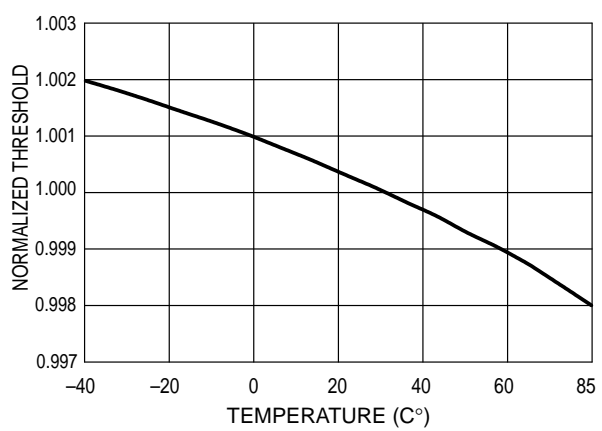
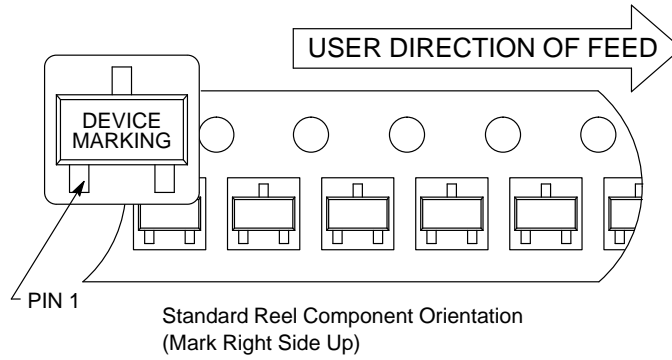


Figure 9. Normalized Reset Threshold vs Temperature

MAX809 MAX810

TAPING FORM

Component Taping Orientation for 3L SOT-23 (JEDEC-236) Devices

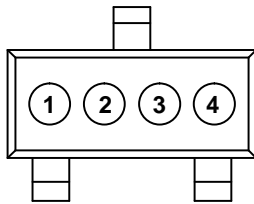


Tape & Reel Specifications Table

Package	Carrier Width (W)	Pitch (P)	Part Per Full Reel	Reel Size
SOT-23	8 mm	4 mm	3000	7 inches

MARKING

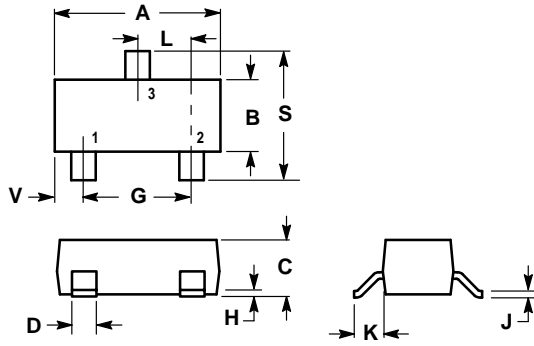
SOT-23



MAX809	Marking	① + ②
MAX809L	J1	
MAX809M	J2	
MAX809T	J3	
MAX809S	J4	
MAX809R	J5	
MAX809J	J6	
MAX810	Marking	
MAX810L	K1	
MAX810M	K2	
MAX810T	K3	
MAX810S	K4	
MAX810R	K5	
	③ + ④	Date Code

OUTLINE DIMENSIONS


SOT-23
 PLASTIC PACKAGE (TO-236)
 CASE 318-08
 ISSUE AF



- NOTES:
1. DIMENSIONING AND TOLERANCING PER ANSI Y14.5M, 1982.
 2. CONTROLLING DIMENSION: INCH.
 3. MAXIMUM LEAD THICKNESS INCLUDES LEAD FINISH THICKNESS. MINIMUM LEAD THICKNESS IS THE MINIMUM THICKNESS OF BASE MATERIAL.

DIM	INCHES		MILLIMETERS	
	MIN	MAX	MIN	MAX
A	0.1102	0.1197	2.80	3.04
B	0.0472	0.0551	1.20	1.40
C	0.0350	0.0440	0.89	1.11
D	0.0150	0.0200	0.37	0.50
G	0.0701	0.0807	1.78	2.04
H	0.0005	0.0040	0.013	0.100
J	0.0034	0.0070	0.085	0.177
K	0.0140	0.0285	0.35	0.69
L	0.0350	0.0401	0.89	1.02
S	0.0830	0.1039	2.10	2.64
V	0.0177	0.0236	0.45	0.60

MAX809 MAX810

Motorola reserves the right to make changes without further notice to any products herein. Motorola makes no warranty, representation or guarantee regarding the suitability of its products for any particular purpose, nor does Motorola assume any liability arising out of the application or use of any product or circuit, and specifically disclaims any and all liability, including without limitation consequential or incidental damages. "Typical" parameters which may be provided in Motorola data sheets and/or specifications can and do vary in different applications and actual performance may vary over time. All operating parameters, including "Typicals" must be validated for each customer application by customer's technical experts. Motorola does not convey any license under its patent rights nor the rights of others. Motorola products are not designed, intended, or authorized for use as components in systems intended for surgical implant into the body, or other applications intended to support or sustain life, or for any other application in which the failure of the Motorola product could create a situation where personal injury or death may occur. Should Buyer purchase or use Motorola products for any such unintended or unauthorized application, Buyer shall indemnify and hold Motorola and its officers, employees, subsidiaries, affiliates, and distributors harmless against all claims, costs, damages, and expenses, and reasonable attorney fees arising out of, directly or indirectly, any claim of personal injury or death associated with such unintended or unauthorized use, even if such claim alleges that Motorola was negligent regarding the design or manufacture of the part. Motorola and  are registered trademarks of Motorola, Inc. Motorola, Inc. is an Equal Opportunity/Affirmative Action Employer.

Mfax is a trademark of Motorola, Inc.

How to reach us:

USA/EUROPE/Locations Not Listed: Motorola Literature Distribution;
P.O. Box 5405, Denver, Colorado 80217. 1-303-675-2140 or 1-800-441-2447

JAPAN: Motorola Japan Ltd.; SPD, Strategic Planning Office, 141,
4-32-1 Nishi-Gotanda, Shinagawa-ku, Tokyo, Japan. 81-3-5487-8488

Customer Focus Center: 1-800-521-6274

Mfax™: RMFAX0@email.sps.mot.com – TOUCHTONE 1-602-244-6609
Motorola Fax Back System – US & Canada ONLY 1-800-774-1848
– <http://sps.motorola.com/mfax/>

ASIA/PACIFIC: Motorola Semiconductors H.K. Ltd.; Silicon Harbour Centre,
2, Dai King Street, Tai Po Industrial Estate, Tai Po, N.T., Hong Kong.
852-26629298

HOME PAGE: <http://motorola.com/sps/>



MOTOROLA



MAX809/D